

PLEASE CHECK WWW.MOLEX.COM FOR LATEST PART INFORMATION

Part Number: **5010834010**
Status: **Active**
Description: 0.40mm (.016") Pitch Wire-to-Board PCB Receptacle, Vertical, 40 Circuits

Documents:

[3D Model](#) [Product Specification PS-501083-001 \(PDF\)](#)
[Drawing \(PDF\)](#) [RoHS Certificate of Compliance \(PDF\)](#)

General

| | |
|----------------|-----------------|
| Product Family | PCB Receptacles |
| Series | 501083 |
| Application | Wire-to-Board |
| Product Name | N/A |

Physical

| | |
|--------------------------------|----------------------------------|
| Circuits (Loaded) | 40 |
| Color - Resin | Black |
| Durability (mating cycles max) | 10 |
| Glow-Wire Compliant | No |
| Lock to Mating Part | Yes |
| Material - Metal | Phosphor Bronze, Stainless Steel |
| Material - Plating Mating | Gold |
| Material - Plating Termination | Gold |
| Material - Resin | High Temperature Thermoplastic |
| Number of Rows | 1 |
| Orientation | Vertical |
| PCB Locator | No |
| PCB Retention | Yes |
| Packaging Type | Embossed Tape on Reel |
| Pitch - Mating Interface (in) | 0.016 In |
| Pitch - Mating Interface (mm) | 0.40 mm |
| Polarized to Mating Part | Yes |
| Polarized to PCB | Yes |
| Temperature Range - Operating | -30°C to +75°C |
| Termination Interface: Style | Surface Mount |

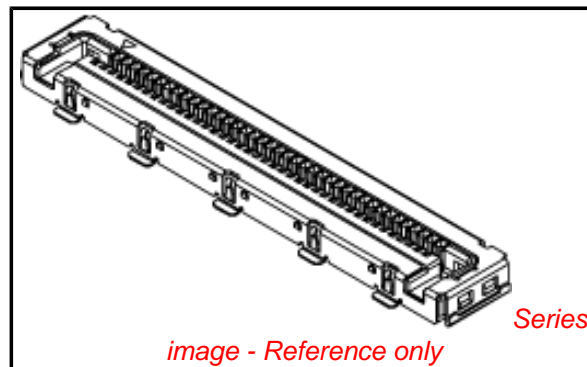
Electrical

| | |
|-------------------------------|-----------------|
| Current - Maximum per Contact | 0.2A |
| Voltage - Maximum | 30V AC (RMS)/DC |

Material Info

Reference - Drawing Numbers

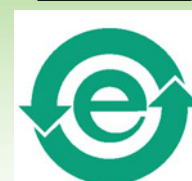
| | |
|-------------------------|--|
| Packaging Specification | SPK-501083-001 |
| Product Specification | PS-501083-001, RPS-501083-001, RPS-501083-002, RPS-501083-003 |
| Sales Drawing | SD-501083-001, SD-501083-002 |



EU RoHS

**ELV and RoHS
Compliant**
REACH SVHC
 Not Reviewed
**Halogen-Free
Status**
 Not Reviewed

China RoHS



**Need more information on product
environmental compliance?**

Email productcompliance@molex.com
 For a multiple part number RoHS Certificate of
 Compliance, [click here](#)

Please visit the [Contact Us](#) section for any
 non-product compliance questions.

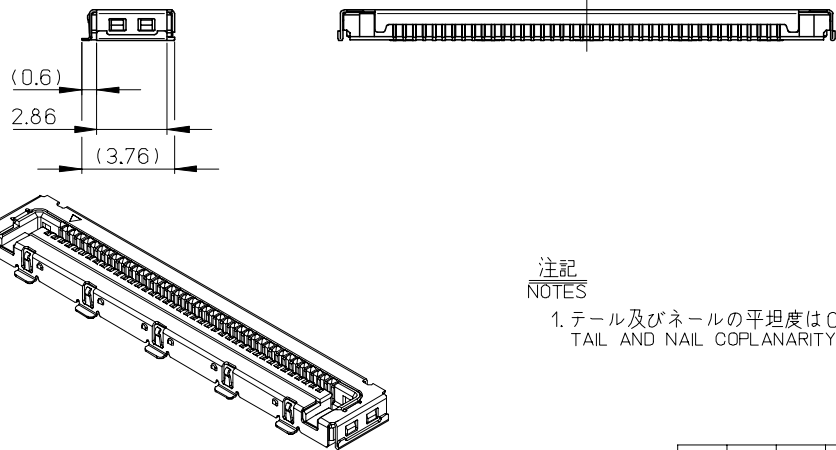
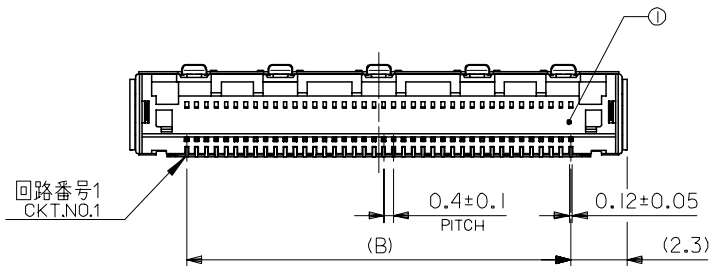
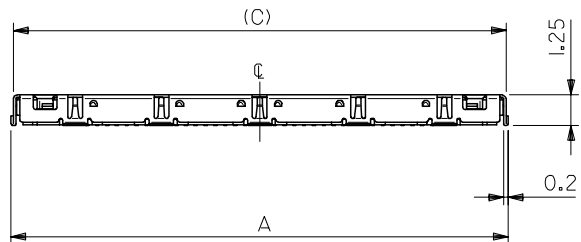
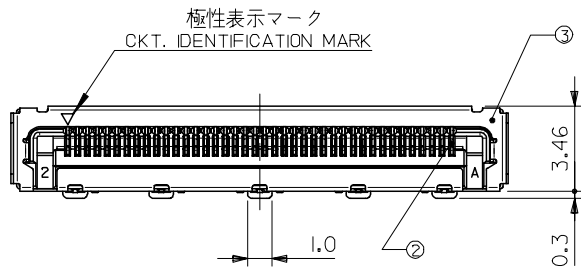
Search Parts in this Series

501083Series

Mates With

Contact Molex for mating plug harness
 details

10 9 8 7 6 5 4 3 2 1



| 番号 NO. | 部品 PART NAME | 材料/仕上げ MATERIAL/ FINISH |
|-----------|-------------------|---|
| ① | ハウジング HOUSING | ガラス入り耐熱樹脂、黒色、UL94V-0 G.F.HEAT RESISTANT PLASTIC, BLACK, UL94V-0 |
| ② | ターミナル TERMINAL | 銅合金 COPPER ALLOY 接点部 : 金メッキ0.2μm MIN. CONTACT AREA : GOLD 0.2μm MIN. テール部 : 金メッキ0.4μm MAX. TAIL AREA : GOLD 0.4μm MAX. 下地めっき : ニッケルメッキ1.5μm MIN. UNDER PLATING : NICKEL 1.5μm MIN. |
| ③ | シェル SHELL | ステンレス鋼 STAINLESS STEEL 半田付け処理 SOLDERABILITY IMPROVEMENT COAT (Au COAT) 下地めっき : ニッケルメッキ1.0μm MIN. UNDER PLATING : NICKEL 1.0μm MIN. |

注記
NOTES

1. テール及びネールの平坦度は0.1MAX.
TAIL AND NAIL COPLANARITY TO BE 0.1MAX.

| | | | | |
|----|------|------|----------------------|-------------|
| 24 | 19.6 | 24.2 | 501083-5009 | 50 |
| 20 | 15.6 | 20.2 | 501083-4009 | 40 |
| 16 | 11.6 | 16.2 | 501083-3009 | 30 |
| C | B | A | 製品番号 MATERIAL NO. | 極数 CKT. |
| | | | MODEL NO. | 501083-**09 |

| | | | | | | | |
|---|--|-------|--|--------------------|--|--|---------------------------|
| REVISED EC NO: J2007-1019 DRWNG: YRIFUJI 2006/10/06 CHKD: KANEKO 2006/10/06 APPR: KANEKO 2006/10/10 | GENERAL TOLERANCES (UNLESS SPECIFIED) | | DIMENSION STYLE MM ONLY | | SCALE 5:1 | DESIGN UNITS METRIC | THIRD ANGLE PROJECTION |
| | 10 UNDER | ±0.2 | DRAWN BY KTAKETOMI | DATE 2004/02/10 | TITLE 0.4 WIRE TO BOARD CONN. REC. HOUSING ASSEMBLY TOP ENTRY -LEAD FREE- | | |
| | 10 OVER 30 UNDER | ±0.25 | CHECKED BY TKANEKO | DATE 2004/02/10 | MOLEX INCORPORATED | | |
| | 30 OVER | ±0.3 | APPROVED BY AHORINO | DATE 2004/02/10 | MATERIAL NO. | DOCUMENT NO. SD-501083-001 | SHEET NO. 1 OF 2 |
| | ANGULAR | ±3 ° | DRAFT WHERE APPLICABLE MUST REMAIN WITHIN DIMENSIONS | | SIZE A3 | THIS DRAWING CONTAINS INFORMATION THAT IS PROPRIETARY TO MOLEX INCORPORATED AND SHOULD NOT BE USED WITHOUT WRITTEN PERMISSION | |

10 9 8 7 6 5 4 3 2 1

F

E

D

C

B

A

F

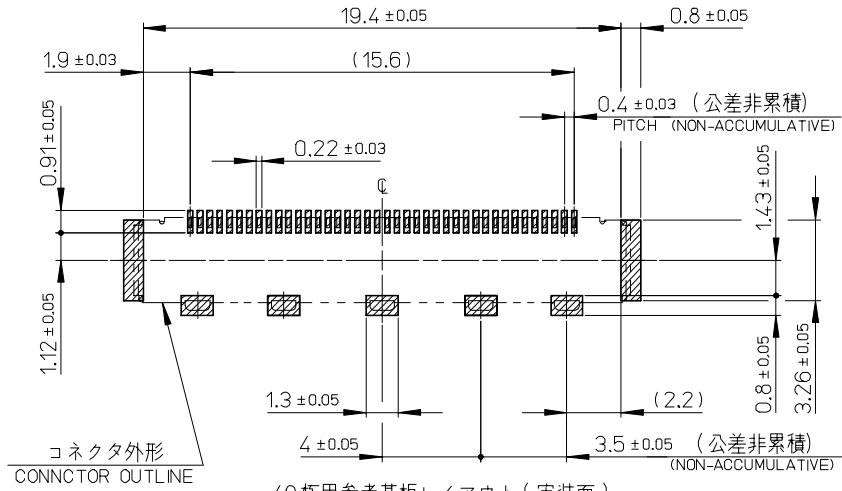
E

D

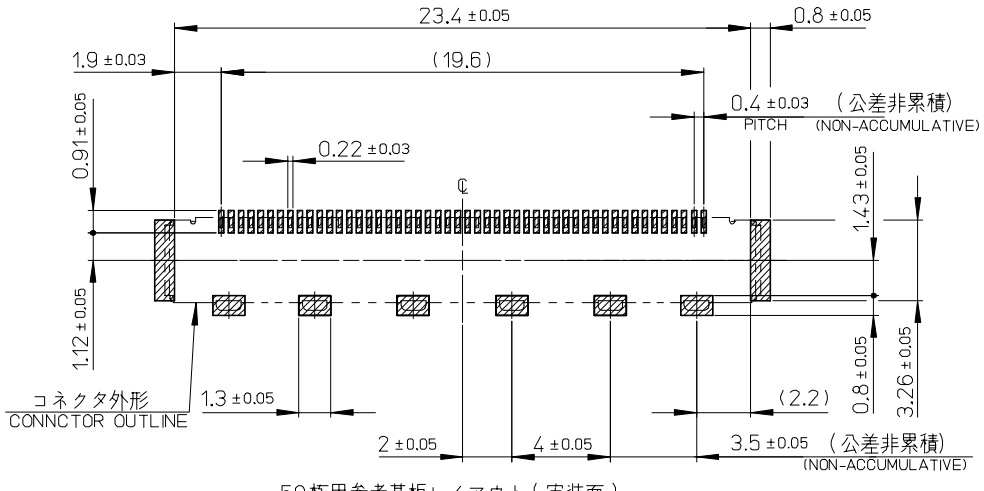
C

B

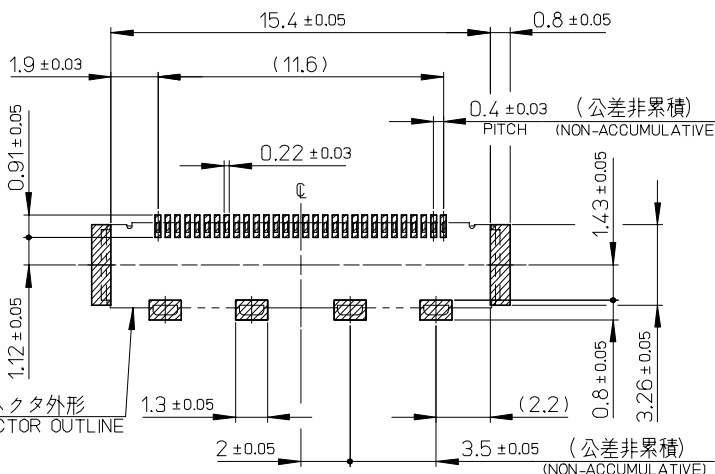
A



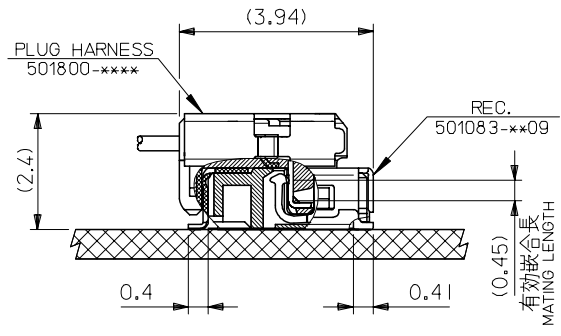
40極用参考基板レイアウト (実装面)
P.C.BOARD PATTERN DIMENSION FOR 40ccts
(REFERENCE)
(MOUNTING SIDE)



50極用参考基板レイアウト (実装面)
P.C.BOARD PATTERN DIMENSION FOR 50ccts
(REFERENCE)
(MOUNTING SIDE)



30極用参考基板レイアウト (実装面)
P.C.BOARD PATTERN DIMENSION FOR 30ccts
(REFERENCE)
(MOUNTING SIDE)

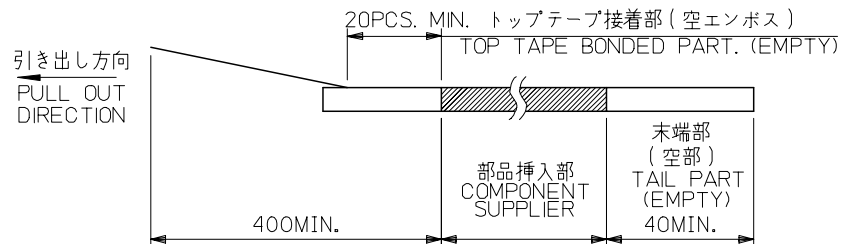
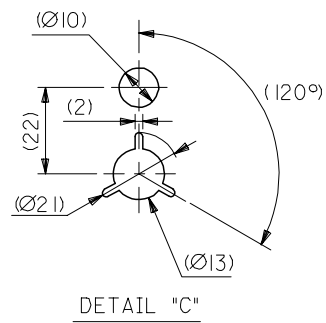
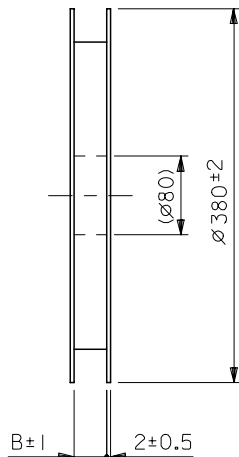
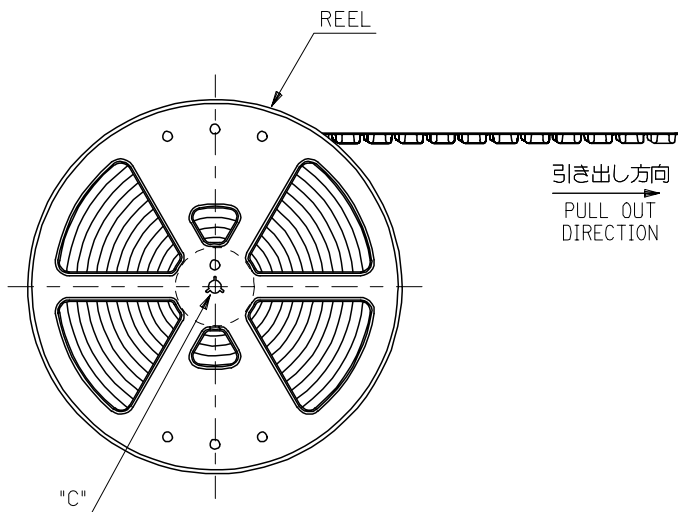


嵌合断面図 (参考)
CROSS-SECTION VIEW OF MATED CONNECTOR
(REFERENCE)

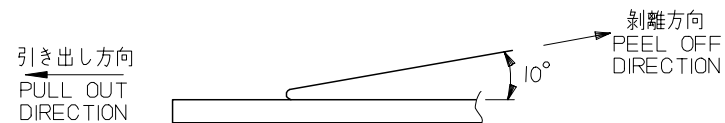
| | | | | | | |
|--|--|--------|----------------------------|--|--|---------------------------|
| REVISED EC NO: J2007-1019 DRWNGYORIFUJII CHKD:TKANEKO APPR:TKANEKO 2006/10/06 2006/10/06 2006/10/10 | GENERAL TOLERANCES (UNLESS SPECIFIED) | | DIMENSION STYLE MM ONLY | SCALE 5:1 | DESIGN UNITS METRIC | THIRD ANGLE PROJECTION |
| | 10 UNDER | ± 0.2 | DRAWN BY KTAKETOMI | DATE 2004/02/10 | TITLE 0.4 WIRE TO BOARD CONN. REC. HOUSING ASSEMBLY TOP ENTRY -LEAD FREE- | |
| | 10 OVER 30 UNDER | ± 0.25 | CHECKED BY TKANEKO | DATE 2004/02/10 | MOLEX INCORPORATED | |
| | 30 OVER | ± 0.3 | APPROVED BY AHORINO | DATE 2004/02/10 | SHEET NO. 2 OF 2 | |
| | ANGULAR | ± 3 ° | MATERIAL NO. SEE 1 OF 2 | DOCUMENT NO. SD-501083-001 | | |
| | DRAFT WHERE APPLICABLE MUST REMAIN WITHIN DIMENSIONS | | SIZE A3 | THIS DRAWING CONTAINS INFORMATION THAT IS PROPRIETARY TO MOLEX INCORPORATED AND SHOULD NOT BE USED WITHOUT WRITTEN PERMISSION | | |

注記 NOTES

- 製品詳細寸法については図面 SD-501083-001 を参照下さい。
RE DETAILED DIMENSION, SEE SD-501083-001
- 梱包数量：3000 個/リール
NUMBER OF CONNECTORS : 3000PCS/REEL
- リードテープ長さ LEAD TAPE LENGTH



- トップテープの剥離強度：0.1N~0.7N(10.2gf~71.4gf)
(剥離方向は下図参照)
尚、本規格値は出荷時に適用。(但し、輸送時に剥離が発生しないこと。)
PEELING OFF FORCE OF TOP TAPE : 0.1N~0.7N(10.2gf~71.4gf)
(PEELING DIRECTION AS SHOWN IN FOLLOWING FIG.)
THIS REQUIREMENT SHOULD BE APPLIED AT SHIPMENT.
PEEL OFF SHOULD NOT BE ALLOWED , DURING TRANSPORTION.



- 材料 MATERIAL
キャリアテープ (CARRIER TAPE) : ホリプロビレン(POLYPROPYLENE)
トップテープ (TOP TAPE) : PET , PE , PEF
リール (REEL) : ホリスチレン (PS) <リサイクル材を含む>
POLYSTYRENE (PS) <RECYCLE MATERIAL CONTAINED>

MODEL NO. 501083-**10

| | | | | | | | |
|--|--|--------|----------------------------|--------------------|--|------------------------|------------------------|
| REVISED EC NO: J2007-1508 DRWNGYORIFUJI 2006/11/27 CHKD:TKANEKO 2006/11/27 APPR:TKANEKO 2006/11/27 | GENERAL TOLERANCES (UNLESS SPECIFIED) | | DIMENSION STYLE MM ONLY | | SCALE 5:1 | DESIGN UNITS METRIC | THIRD ANGLE PROJECTION |
| | 10 UNDER | ± 0.2 | DRAWN BY KTAKETOMI | DATE 2004/12/10 | TITLE 0.4 W/B CONN. REC.HSG ASSY TOP ENTRY EMBOSSSED TAPE PACKAGE | | |
| | 10 OVER 30 UNDER | ± 0.25 | CHECKED BY TKANEKO | DATE 2004/12/10 | MOLEX INCORPORATED | | |
| | 30 OVER | ± 0.3 | APPROVED BY AHORINO | DATE 2004/12/10 | DOCUMENT NO. SD-501083-002 | | |
| | ANGULAR | ± 3 ° | MATERIAL NO. SEE CHART | | SHEET NO. 1 OF 3 | | |
| A | DRAFT WHERE APPLICABLE MUST REMAIN WITHIN DIMENSIONS | | SIZE A3 | | THIS DRAWING CONTAINS INFORMATION THAT IS PROPRIETARY TO MOLEX INCORPORATED AND SHOULD NOT BE USED WITHOUT WRITTEN PERMISSION | | |

10 9 8 7 6 5 4 3 2 1

F

E

D

C

B

A

F

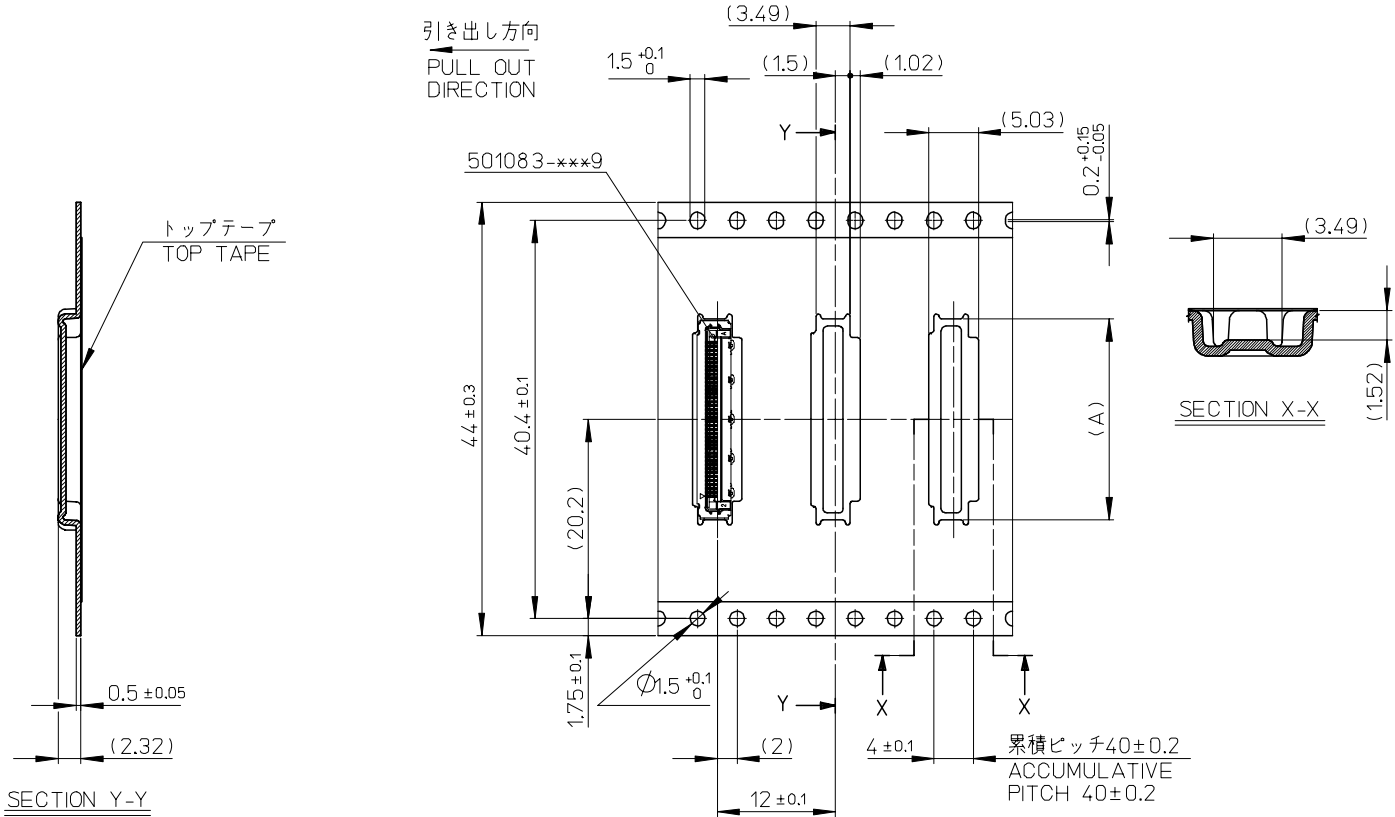
E

D

C

B

A



44mm 幅キャリアテープ
44mm WIDTH CARRIER TAPE

| | | | | |
|--------------------------------|------|------|----------------------|-------------|
| 44 | 45.5 | 24.4 | 501083-5010 | 50 |
| | | 20.4 | 501083-4010 | 40 |
| キャリアテープ幅 CARRIER TAPE WIDTH | B | (A) | 製品番号 MATERIAL NO. | 極数 CKT. |
| | | | MODEL NO. | 501083-**10 |

| | | | | | | | |
|--|---------------------------------------|--------|--|--------------------|--|------------------------|------------------------|
| REVISED EC NO: J2007-1508 DRWNG: RIFUJI 2006/11/27 CHKD: KANEKO 2006/11/27 APPR: KANEKO 2006/11/27 | GENERAL TOLERANCES (UNLESS SPECIFIED) | | DIMENSION STYLE MM ONLY | | SCALE 5:1 | DESIGN UNITS METRIC | THIRD ANGLE PROJECTION |
| | 10 UNDER | ± 0.2 | DRAWN BY KTAKETOMI | DATE 2004/12/10 | TITLE 0.4 W/B CONN. REC.HSG ASSY TOP ENTRY EMBOSSD TAPE PACKAGE | | |
| | 10 OVER 30 UNDER | ± 0.25 | CHECKED BY TKANEKO | DATE 2004/12/10 | MOLEX INCORPORATED | | |
| | 30 OVER | ± 0.3 | APPROVED BY AHORINO | DATE 2004/12/10 | MATERIAL NO. SEE CHART | | |
| | ANGULAR | ± 3 ° | DRAFT WHERE APPLICABLE MUST REMAIN WITHIN DIMENSIONS | | DOCUMENT NO. SD-501083-002 | SHEET NO. 2 OF 3 | |

10 9 8 7 6 5 4 3 2 1

F

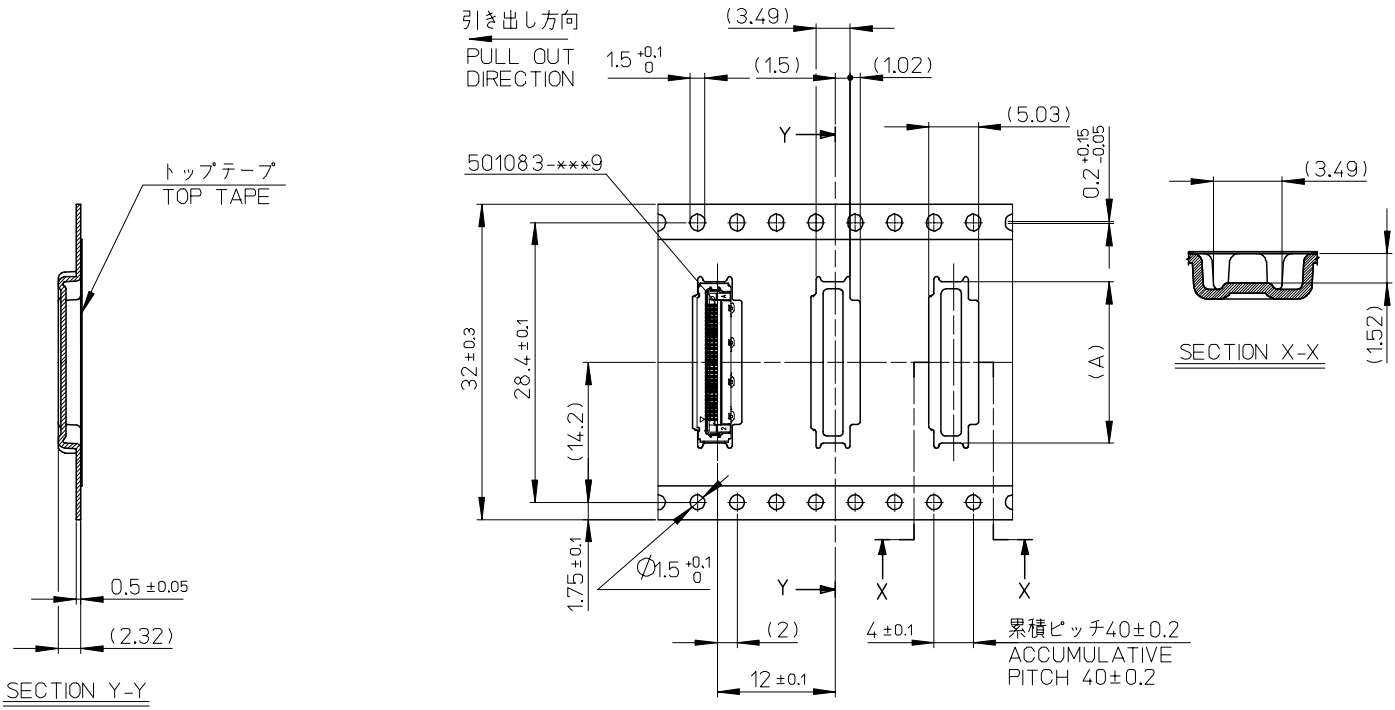
E

D

C

B

A



32mm 幅キャリアテープ
32mm WIDTH CARRIER TAPE

| | | | | |
|--------------------------------|------|------|----------------------|-------------|
| 32 | 33.5 | 16.4 | 501083-3010 | 30 |
| キャリアテープ幅 CARRIER TAPE WIDTH | B | (A) | 製品番号 MATERIAL NO. | 極数 CKT. |
| | | | MODEL NO. | 501083-**10 |

| | | | | | | | |
|--|--|--------|----------------------------|-------------------------------|--|------------------------|------------------------|
| REVISED EC NO: J2007-4508 DRWNG: YORIFUJI 2006/11/27 CHKD: TKANEKO 2006/11/27 APPR: TKANEKO 2006/11/27 | GENERAL TOLERANCES (UNLESS SPECIFIED) | | DIMENSION STYLE MM ONLY | | SCALE 1:1 | DESIGN UNITS METRIC | THIRD ANGLE PROJECTION |
| | 10 UNDER | ± 0.2 | DRAWN BY KTAKETOMI | DATE 2004/12/10 | TITLE 0.4 W/B CONN. REC. HSG ASSY TOP ENTRY EMBOSSSED TAPE PACKAGE | | |
| | 10 OVER 30 UNDER | ± 0.25 | CHECKED BY TKANEKO | DATE 2004/12/10 | | | |
| | 30 OVER | ± 0.3 | APPROVED BY AHORINO | DATE 2004/12/10 | MOLEX INCORPORATED | | |
| | ANGULAR | ± 3 ° | MATERIAL NO. | DOCUMENT NO. SD-501083-002 | | | |
| A | DRAFT WHERE APPLICABLE MUST REMAIN WITHIN DIMENSIONS | | SEE CHART | | THIS DRAWING CONTAINS INFORMATION THAT IS PROPRIETARY TO MOLEX INCORPORATED AND SHOULD NOT BE USED WITHOUT WRITTEN PERMISSION | | |